

# OMESS-CALIBRATOR

OM-HM 481 BO



# OMESS-CALIBRATOR

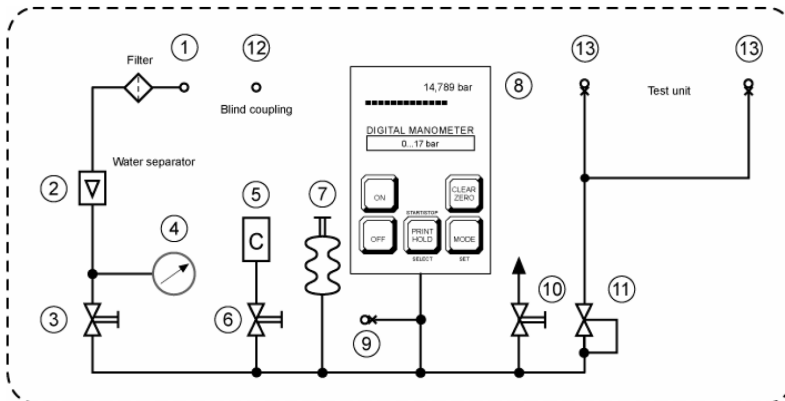
## Technical specifications:

Measuring units:	digital manometer HM28
Measuring range:	0 - 17 bar
Overload rating:	27 bar
Possible accuracy values:	Digital manometer 0.2 % of final value Digital manometer 0.1 % of final value Digital manometer 0.05 % of final value

The accuracy of the built-in digital manometer is indicated when switching on. First the maximum pressure range and then the accuracy class of the digital manometer appear on the display when pressing the ON button.

Measuring fluids:	Inert gases/Instrument air
Pneumatic ports:	Miniature measuring coupling 1215
Volume capacity:	approx. 0.75 litre
Operating temperature:	-5°C to +50°C
Storage temperature:	-20°C to +60°C
Dimensions:	approx. W 260 mm x H 185 mm x D 180 mm
Weight:	approx. 4.6 kg

## Layout:



- |                                      |   |
|--------------------------------------|---|
| 1. RECTUS-TYPE EXTERNAL AIR ENTRY    | 8. DIGITAL MANOMETER                              |
| 2. WATER SEPARATOR                   | 9. TEST PORT<br>(self-closing plug-in connection) |
| 3. STRAIGHT-WAY VALVE (NEEDLE VALVE) | 10. BLEEDER VALVE                                 |
| 4. SMALL MANOMETER INLET PRESSURE    | 11. PRESSURE PROTECTION                           |
| 5. VOLUME                            | 12. BLIND COUPLING                                |
| 6. CUT-OFF VALVE                     | 13. TEST UNIT PORT FOR TYRE INFLATORS             |
| 7. VARIABLE BELLOWS                  |   |

subject of modification